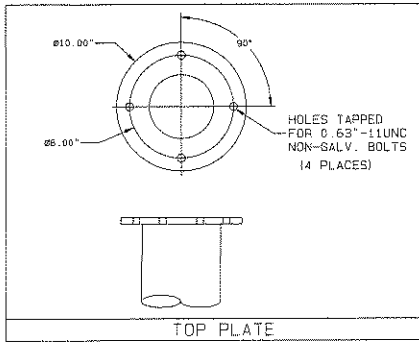


45' - 0" — TOP PLATE



45' WIND TOWER 2-PIECE

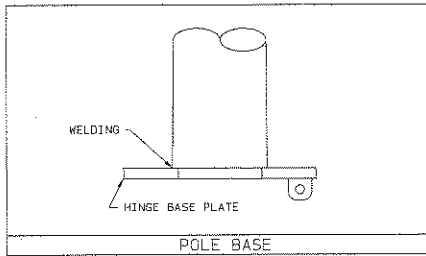
POLE BASE O.D. - 12.30"

POLE TOP O.D. - 6.24"

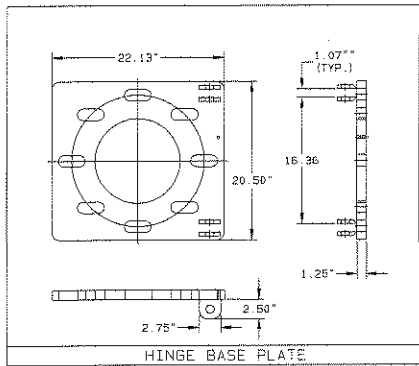
WALL THICKNESS - 7 GA BASE SECTION

- 11 GA TOP SECTION

POLE HEIGHT - 45' - 0"



20' - 0" —



POLE BASE

0' - 0" —



(8) - 1.25" ANCHOR BOLTS ON A 17.00" BOLT CIRCLE

POLE SIZING FOR ILLUSTRATIVE PURPOSES ONLY. ACTUAL SIZING TO BE DETERMINED.

VALMONT INDUSTRIES, INC. VALLEY, NEBRASKA 68064 402-359-2201

WWW.VALMONTSTRUCTURES.COM



DATE: 10/15/09

DRWN: AAH

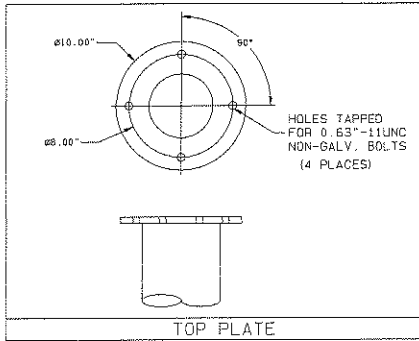
CHK: BDS

SHEET 1 OF 1

TITLE: STS - NORTHWIND POWER INC.
45' TWO PIECE HINGE DESIGN

DRAWING NO.
MK108883P1

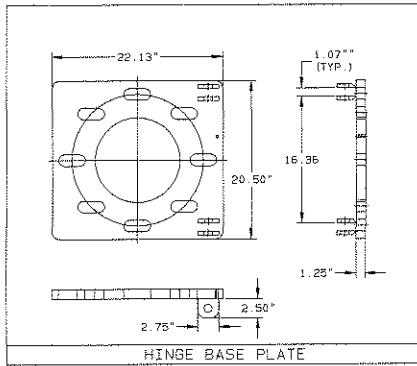
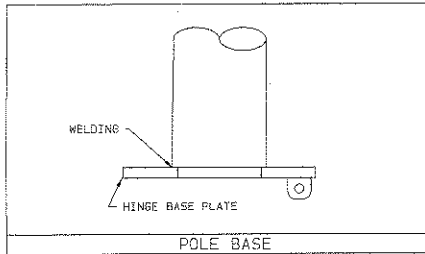
REV
A



33' - 6" ——— TOP PLATE

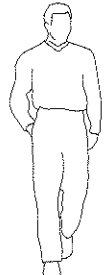
20' - 0" ———

33.5' WIND TOWER
 POLE BASE O.D. - 10.00"
 POLE TOP O.D. - 5.31"
 WALL THICKNESS - 7 GA
 POLE HEIGHT - 33.5'



POLE BASE

0' - 0" ———



(8) - 1.25" ANCHOR BOLTS
 ON A 17.00" BOLT CIRCLE

POLE SIZING FOR ILLUSTRATIVE PURPOSES ONLY. ACTUAL SIZING TO BE DETERMINED.

VALMONT INDUSTRIES, INC. VALLEY, NEBRASKA 68064 402-359-2201

WWW.VALMONTSTRUCTURES.COM



DATE: 10/15/09	DRWN: AAH	CHK: BDS	SHEET 1 OF 1
TITLE: STS - NORTHWIND POWER INC. 33.5' ONE PIECE HINGE DESIGN		DRAWING NO. MK108883P2	REV A